

## Heavy-Duty GRP/Fibreglass Combination Ladders



[Representative image of product]

### Product Description

Designed to be stable on uneven surfaces and offer the ultimate in durability and flexibility. Developed for use in the most demanding environments, our industrial grade combination ladders provide you a triple ladder, an A-frame stepladder, an extended stepladder, a stairwell ladder combined with a levelling safety base in one robust product.

### Features

- Telescopic stabiliser for use on uneven ground
- Large box section stiles with twist-proof rung connections
- Use as an extension, A-frame or stairwell ladder
- Aluminium locking stays for additional rigidity
- Deep, comfortable rungs that are horizontal when climbing
- Strong nylon coated guides for smooth operation
- Integrated wall wheels to assist placement
- Non-conductive stiles insulated to 30,000 volts (fibreglass version)

### Specifications

- Brand: TB Davies
- Warranty: 5-year
- Max Load: 150kg
- Standard: EN131
- Material: GRP Fibreglass/Aluminium
- Commodity Code: 70199000
- Country of Origin: IT
- Recommended Usage: Intensive

### Common Dimensions

- Rung Depth: 30mm
- Distance Between Rungs: 300mm

### Availability & Delivery

Stock item. Delivery next day.

(See exceptions, if applicable, overleaf)

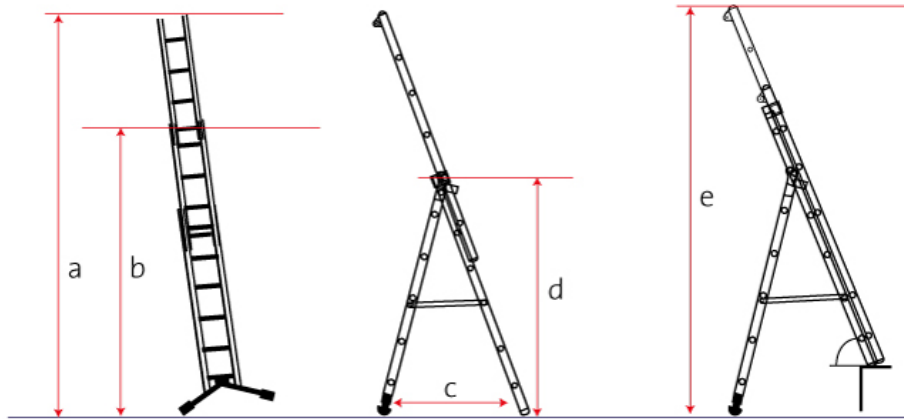
# Heavy-Duty GRP/Fibreglass Combination Ladders

## Product Dimensions

SKU	Rungs /Sections	Last Climbing Height (b)	Approx. Working Height <sup>1</sup> (mm)	Extended Length (a) (mm)	Closed Length (mm)	Storage Width (mm)	Storage Depth (mm)	Nett Weight (kg)
1300-061	6 x 3	3100	4700	2040 - 4200	2040	830	170	17.0
1300-063	8 x 3	4300	5900	2640 - 5650	2640	830	170	22.0

SKU	Open Step Depth (c) (mm)	Open Step Height (e) (mm)	Max Step Height (d) (mm)	Approx. Step Working Height <sup>1</sup> (mm)
1300-061	1260	4200	1900	3500
1300-063	1570	5650	2440	4040

<sup>1</sup> Working height is calculated as 1,600mm plus platform height or last climbing tread, whichever is appropriate. Ladders set at an angle of 75° degrees.



Please note that this drawing is not to scale and may differ slightly from the ladder that you receive.

## Shipping Dimensions

SKU	Barcode	Shipping Length (mm)	Shipping Width (mm)	Shipping Depth (mm)	Shipping Volume (m <sup>3</sup> )	Gross Weight (kg)
1300-061	5060169488533	2040	830	204	0.345	17.0
1300-063	5060169488540	2640	830	204	0.447	22.0

**Packaging Material:** Polywrap