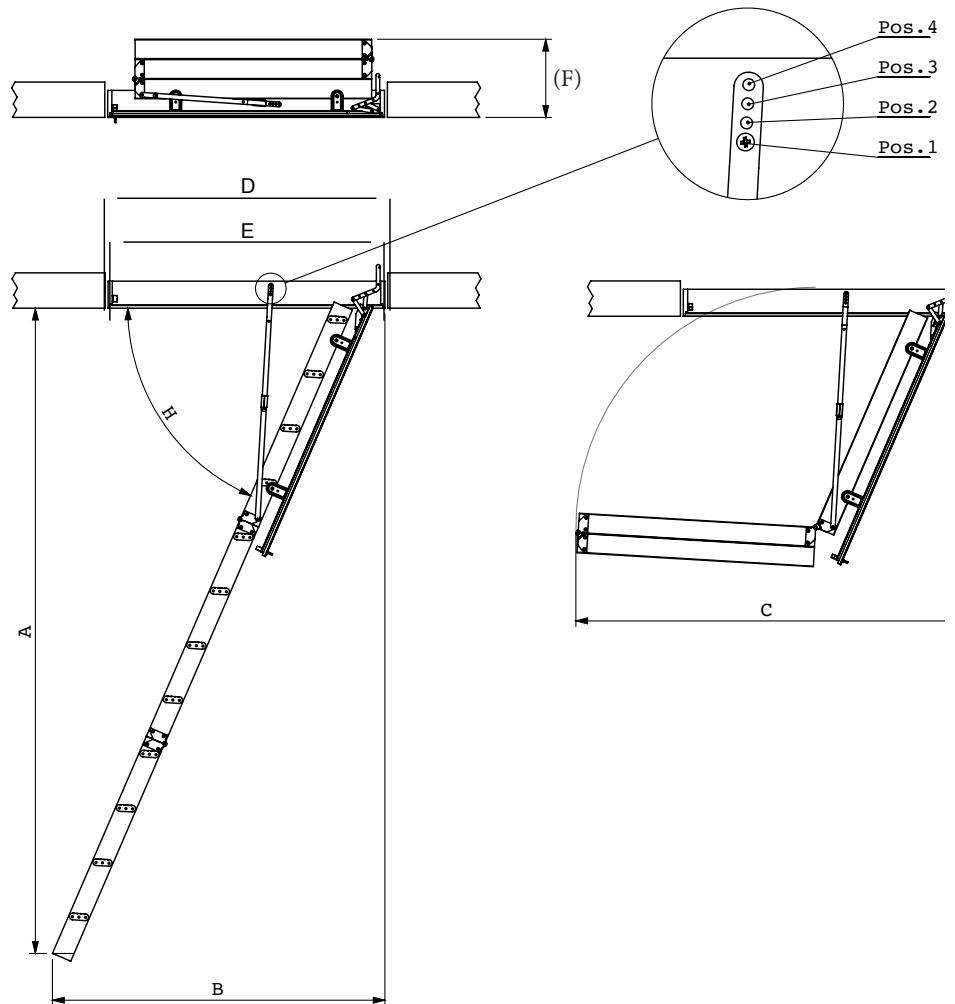


EnviroFold Loft Ladder

Frame Dimensions	(mm)
Opening Size Width (D)	575
Opening Size Length (D)	1150
Outside Frame Width (E)	550
Outside Frame Length (E)	1130
Frame Thickness	18
Frame Height	115
Insulation Depth	20
Material Frame	Spruce
Ladder Dimensions	(mm)
Tread Depth	82
Tread Width	340
Tread Thickness	28
Tread Pitch	250
Material Tread	Spruce
String Dimensions	(mm)
String Width	21
String Depth	84
Material String	Spruce
Hatch Dimensions	(mm)
Hatch Insulation Depth	20
Hatch Thickness	26
Material Hatch	white/white HDF 2 x3
Calculated U-Value	1.60W/m ³
(H) Angle	66° - 72°



Product Dimensions

PRODUCT SKU	TREAD COUNT	MAX. FLOOR TO FLOOR HEIGHT (A) (M)	MAX. SWING CLEARANCE (C) (M)	GOING (B) (M)	MAX. HEIGHT CLOSED LADDER (F) (MM)	MAX HEIGHT CLOSED LADDER W/HANDRAIL (MM)
1530-005	12	2.9	1.6	1.4	326	326
1510-012	Extension Kit					



Technical Description

The EnviroFold uses the highest quality timber from sustainable sources to bring you an ecologically friendly loft ladder that can help reduce both your carbon emissions and fuel bills. To aid installation the unit will fit snugly between standard UK 600mm joists.

- » Safe and easy spring assisted operation
- » Air seal to EN12207
- » White insulated trap door
- » Angled feet for a quality finish
- » Twin handrails for additional security
- » Comfortable 75mm deep treads

Standards & Classification

- » Max Load 150kg
- » FSC® certified timber

Warranty

- » 1 Year

Commodity Code

- » 44219097

Shipping Dimensions

PRODUCT SKU	SHIPPING LENGTH (MM)	SHIPPING WIDTH (MM)	SHIPPING DEPTH (MM)	SHIPPING VOLUME (M ³)	SHIPPING WEIGHT (GROSS KG)	BARCODE
1530-005	1,250	750	400	0.3750	24.0	5060169480971
1530-012	753	372	84	0.0235	3.0	5060356910588

Spare Parts

PRODUCT SKU	DESCRIPTION
1530-001	Replacement Handrail
1530-005B	Replacement Pole
1530-009J	EnviroFold Hatch Door
1530-005A	EnviroFold Fittings Bag