

PRIMA Aluminium Industrial Combination Ladder



[Representative image of product]

Product Description

Designed to be stable on uneven surfaces and offer the ultimate in durability and flexibility. Developed for use in the most demanding environments, our industrial grade combination ladders provide you a triple ladder, an A-frame stepladder, an extended stepladder, a stairwell ladder combined with a levelling safety base in one robust product. The stabiliser bar at the base of the ladder adjusts from a minimum 830mm to 1280mm when fully extended.

Features

- Telescopic stabiliser for use on uneven ground
- Large box section stiles with twist-proof rung connections
- Use as an extension, A-frame or stairwell ladder
- Aluminium locking stays for additional rigidity
- Deep, comfortable rungs that are horizontal when climbing
- Strong nylon coated guides for smooth operation
- Integrated wall wheels to assist placement

Specifications

- Brand: TB Davies
- Warranty: 10-year
- Max Load: 150kg
- Standard: EN131 PROFESSIONAL
- Material: Aluminium
- Commodity Code: 76169990
- Country of Origin: IT
- Recommended Usage: Intensive

Common Dimensions

- Rung Depth: 30mm
- Distance Between Rungs: 300mm

Packaging Material

- Polywrap

Availability & Delivery

- Stock item. Delivery next day.
- (See exceptions, if applicable, overleaf)

PRIMA Aluminium Industrial Combination Ladder

Product Dimensions

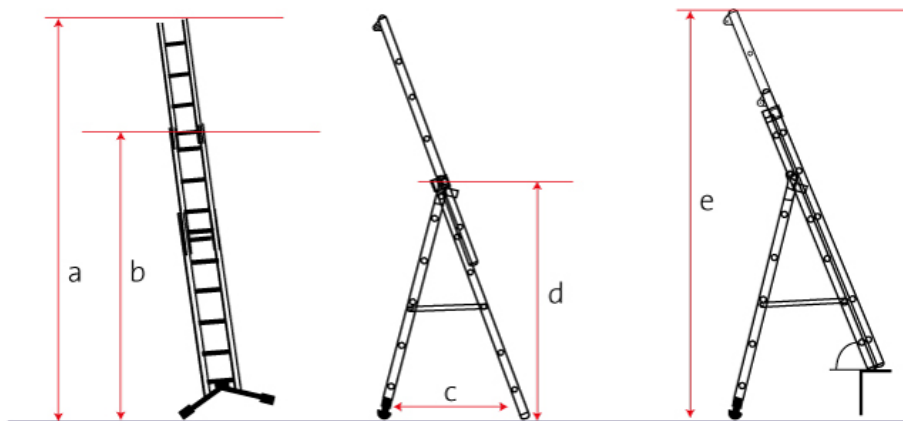
SKU	Rungs /Sections	Last Climbing Height (b) (mm)	Approx. Working Height [†] (mm)	Extended Length (a) (mm)	Closed Length (mm)	Storage Width (mm)	Storage Depth (mm)	Nett Weight (kg)
1300-051	5 + 6 + 6	3100	4850	2040 - 4200	2040	830	170	16.0
1300-053	7 + 8 + 8	4300	6050	2640 - 5400	2640	830	170	20.5
1300-054	8 + 9 + 9	5150	6900	2940 - 6250	2940	830	190	25.0†
1300-056	10 + 11 + 11	7000	8750	3540 - 8100	3540	830	190	29.5†

SKU	Open Step Depth (c) (mm)	Open Step Height (e) (mm)	Max Step Height (d) (mm)	Approx. Step Working Height [†] (mm)
1300-051	1260	4200	1900	3650
1300-053	1570	5650	2440	4190
1300-054	1800	6250	2700	4450
1300-056	2330	8100	3300	5050

Where applicable, Approx. Working Height[†] is an approximate calculation of 1.75m (5'8") plus platform height or last climbing tread, whichever is appropriate.

Ladders set at an angle of ~75° degrees.

† Heavy Item – 2-person lift required.



Please note that the drawing is not to scale and may differ slightly from the ladder that you receive.

Shipping Dimensions

SKU	Shipping Length (mm)	Shipping Width (mm)	Shipping Depth (mm)	Shipping Volume (m ³)	Gross Weight (kg)
1300-051	2040	830	204	0.345	16.0
1300-053	2640	830	204	0.447	20.5
1300-054	2940	830	204	0.498	25.0†
1300-056	3540	830	234	0.688	29.5†

† Heavy Item – 2-person lift required.

Please note that products marked '**Special Order**' cannot be cancelled and are non-returnable once orders are acknowledged and placed.

This document is presented as a guide only; It is subject to change without notice and as such is not legally binding, nor does it form part of any contract.

TB Davies (Cardiff) Ltd, Lewis Road, Cardiff, CF24 5EB, GB. +44(0)29 2132 0000 www.tbdavies.co.uk Registered in England No.534073, VAT Reg. No.GB134144207 Awarded Silver by Investors in People, 2018. An ISO 9001 Registered Company. Members of The Ladder Association and PASMA.