

Trade Combination Ladders



[Representative image of product]

Product Description

The Trade Combination Ladder is a versatile multi-function ladder that can be used as a straight extension ladder and extended A-frame stepladder making it ideal for diverse building and maintenance tasks.

Features

- Large box section stiles for strength and rigidity
- Strong anti-splay nylon restraint straps
- Cast aluminium stile guides for additional durability
- Extra-wide horizontal stabiliser bar

Specifications

- Brand: TB Davies
- Warranty: 3-year
- Max Load: 150kg
- Standard: EN131
- Material: Aluminium
- Commodity Code: 76169990
- Country of Origin: IT
- Recommended Usage: Regular

Common Dimensions

- Rung Depth: 25mm
- Distance Between Rungs: 300mm

Availability & Delivery

Stock item. Delivery next day.

(See exceptions, if applicable, overleaf)

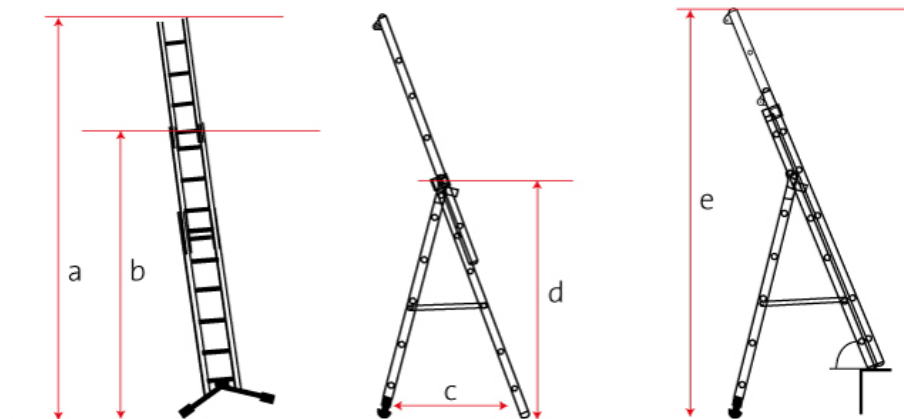
Trade Combination Ladders

Product Dimensions

SKU	Rungs /Sections	Last Climbing Height (b)	Approx. Working Height ¹ (mm)	Extended Length (a) (mm)	Closed Length (mm)	Storage Width (mm)	Storage Depth (mm)	Nett Weight (kg)
1300-211	7 x 3	4000	5600	2490 - 5100	2490	890	160	16.0
1300-213	9 x 3	5800	7400	2990 - 6900	2990	1070	180	20.8
1300-215	11 x 3	7240	8840	3560 - 8340	3560	1200	210	29.6

SKU	Open Step Depth (c) (mm)	Open Step Height (e) (mm)	Max Step Height (d) (mm)	Approx. Step Working Height ¹ (mm)
1300-211	1480	5100	2250	3850
1300-213	1950	7200	3430	5030
1300-215	2400	8340	4250	5850

¹ Working height is calculated as 1,600mm plus platform height or last climbing tread, whichever is appropriate. Ladders set at an angle of 75° degrees.



Please note that this drawing is not to scale and may differ slightly from the ladder that you receive.

Shipping Dimensions

SKU	Barcode	Shipping Length (mm)	Shipping Width (mm)	Shipping Depth (mm)	Shipping Volume (m ³)	Gross Weight (kg)
1300-211	5060356910694	2490	830	160	0.331	16.0
1300-213	5060356910700	2990	830	180	0.447	20.8
1300-215	5060356910717	3560	830	210	0.621	29.6

Packaging Material: Polywrap

Please note that products marked '**Special Order**' cannot be cancelled and are non-returnable once orders are acknowledged and placed. This document is presented as a guide only; It is subject to change without notice and as such is not legally binding, nor does it form part of any contract.