

Light-Duty Combination Ladders



[Representative image of product]

Product Description

The light duty combination ladder is a versatile multi-function ladder that can be used as a straight extension, basic A-frame step, extended A-frame step and stairwell ladder that is easy to use and light enough to carry comfortably between jobs.

Features

- Use as an extension, extended A-frame and stairwell ladder
- Rigid box section stiles
- Wide horizontal stabiliser bar

Specifications

- Brand: TB Davies
- Warranty: 1-year
- Max Load: 150kg
- Standard: EN131
- Material: Aluminium
- Commodity Code: 76169990
- Country of Origin: IT
- Recommended Usage: Regular

Common Dimensions

- Rung Depth: 24mm
- Distance Between Rungs: 280mm

Availability & Delivery

Stock item. Delivery next day.

(See exceptions, if applicable, overleaf)

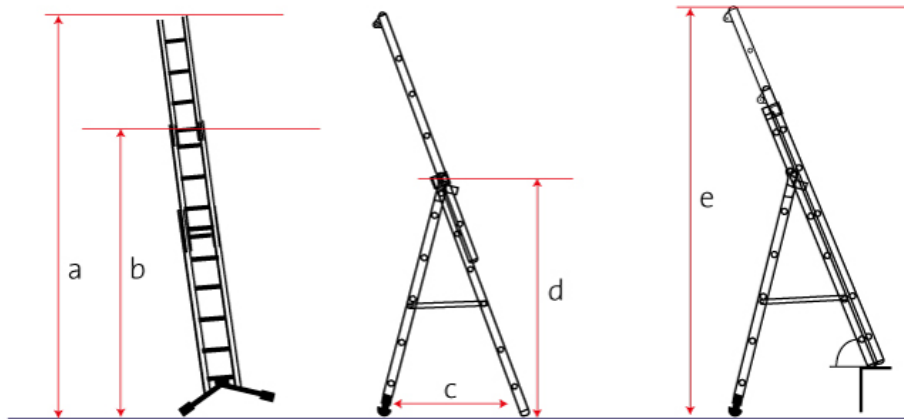
Light-Duty Combination Ladders

Product Dimensions

SKU	Rungs /Sections	Last Climbing Height (b)	Approx. Working Height ¹ (mm)	Extended Length (a) (mm)	Closed Length (mm)	Storage Width (mm)	Storage Depth (mm)	Nett Weight (kg)
1300-310	7 x 3	3160	4760	2020 - 4260	2020	800	150	12.0
1300-311	8 x 3	4000	5600	2300 - 5100	2300	890	150	13.5
1300-312	9 x 3	4840	6440	2580 - 5940	2580	980	170	16.0
1300-314	11 x 3	5960	7560	3140 - 7060	3140	1180	180	20.5

SKU	Open Step Depth (c) (mm)	Open Step Height (e) (mm)	Max Step Height (d) (mm)	Approx. Step Working Height ¹ (mm)
1300-310	1310	4260	2040	3640
1300-311	1490	4800	2450	4050
1300-312	1690	5940	2860	4460
1300-314	2040	7060	3680	5280

¹ Working height is calculated as 1,600mm plus platform height or last climbing tread, whichever is appropriate. Ladders set at an angle of 75° degrees.



Please note that this drawing is not to scale and may differ slightly from the ladder that you receive.

Shipping Dimensions

SKU	Barcode	Shipping Length (mm)	Shipping Width (mm)	Shipping Depth (mm)	Shipping Volume (m ³)	Gross Weight (kg)
1300-310	5060356910724	2020	478	150	0.145	12.0
1300-311	5060356911219	2300	478	150	0.165	13.5
1300-312	5060356910731	2580	478	170	0.21	16.0
1300-314	5060356910748	3140	478	180	0.27	20.5

Packaging Material: Polywrap

Please note that products marked 'Special Order' cannot be cancelled and are non-returnable once orders are acknowledged and placed. This document is presented as a guide only; It is subject to change without notice and as such is not legally binding, nor does it form part of any contract.